



UL#: XXXXXXXX
 (call for #)



NAME: LED Wall Pack

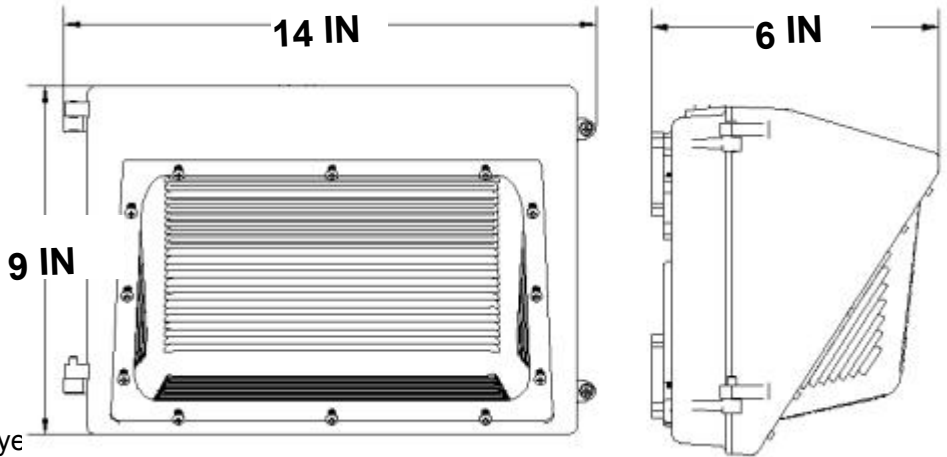
P/N: WSL-WP4-100WA1

Advantage:

- UL cUL DLC certificate
- IP65 Internal driver, Input voltage 100-277VAC
- No UV or IR in the beam
- Easy to install and operate
- Energy saving, long lifespan
- Light is soft and uniform, safe to eye
- Instant start, NO flickering, NO humming
- Green and eco-friendly without mercury.
- 100W
- 11500-12500 LM or 115-125 LM/W

Application:

- ◆ entrance lighting, courtyard lighting
- ◆ Industrial lighting, Outdoor landscape lighting;
- ◆ Building, The hotel;
- ◆ Wall lighting area and so on.



Product Specifications

Product name	LED Wall Pack
Part No	WSL-WP4-100WA1
Dimension	360.5*235*194mm (14x9x6 in)

Technical Characteristic

Color temperature	3000K	3500K	4000K	4500K	5000K	5700K
CRI	>80					
Lumen	11500-12500LM					
Lumen Efficacy	115-125LM/W					
Input Power	100W					
Viewing Angle	110 Degree					
Input Voltage	100-277VAC			50/60Hz		
Driver model	China Brand Driver					
PF	>0.9					
Waterproof Rating	IP65					

Materials

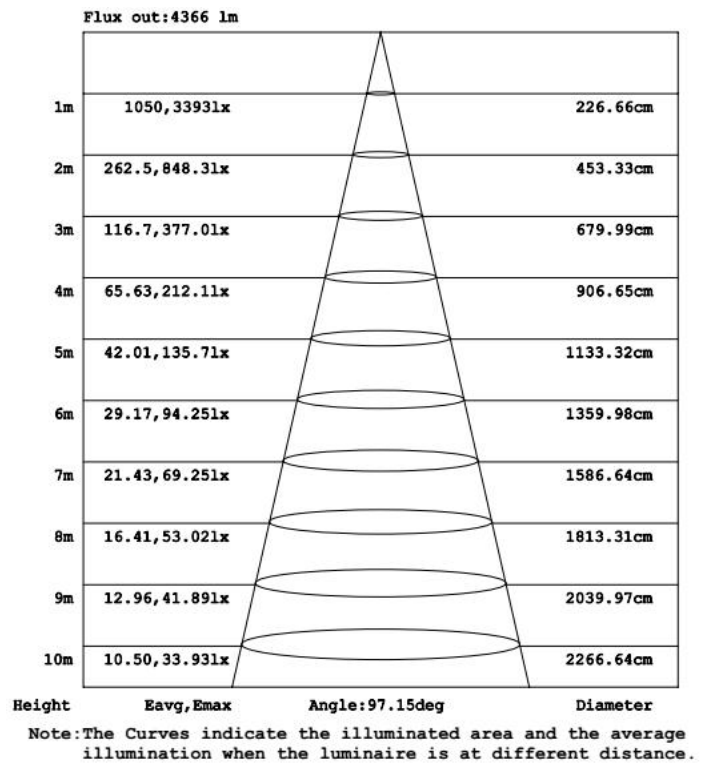
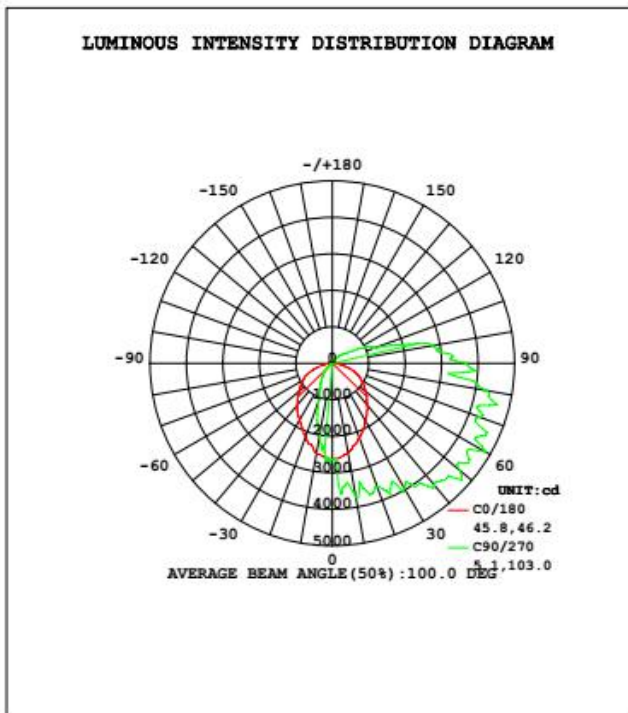
LED Type	2835, 0.5W
LED QTY	360 PCS
Housing	Aluminum(ADC12) +PC
Housing color	Brown

Others

Operating Temperature	-4F TO 113F
Operating Humidity	20%-90% RH
Storage Temperature	-22F TO 176F
Storage Humidity	10%-95%
Application	Outdoor / Indoor
Safety Certification	UL cUL DLC
Warranty Time	5 Years

Light Distribution Testing Parameters

DATA OF LAMP		PHOTOMETRIC DATA Eff: 116.86 lm/W			
MODEL :		I _{max} (cd)	4856	S/MH (C0/180)	1.04
NOMINAL POWER (W)	100	LOR (%)	100.0	S/MH (C90/270)	0.58
RATED VOLTAGE (V)	120	TOTAL FLUX (lm)	11967	η UP, DN (C0-180)	16.9, 70.0
NOMINAL FLUX (lm)	11966.6	CIE CLASS	SEMI-D.	η UP, DN (C180-360)	0.5, 12.6
LAMPS INSIDE	1	η up (%)	17.4	CIBSE SHR NOM	1.25
TEST VOLTAGE (V)	120.0	η down (%)	82.6	CIBSE SHR MAX	1.30



Package

Lamps Net Weight: 10.7 lbs/ pc

	Size	Qty/ Carton	Weight/ Carton
Cardboard	400*300*245mm (16x12x10 in)	1	13 lbs



Notice For User

- ◆ Please turn off power before install or change assembly parts.
- ◆ The input voltage and lamps should be matched, after connecting the power line, Please make sure the wiring section is insulated.
- ◆ No-professionals, must not install and disassemble the lamps.

Trouble Shootings

Troubles	Check points
Flickering of the light	Turn off the power and turn on again in 3 minutes. If same phenomena occur, then call agencies
Out of working	Please check the connection